

## WARNING AND SAFETY INSTRUCTIONS

Before assembling your LED Lighted Mirror fixture, please make sure that you carefully read through this instruction sheet, refer back to them during installation to ensure your product is fitted safely and correctly. Keep these instructions for future use.

### WARNING Risk of Fire and Electric Shock

- All fittings must be installed in accordance with current IEE wiring regulations. If in doubt, consult a qualified electrician.
- Switch off the electrical supply at the main circuit board BEFORE installation and maintenance.
- Suitable for indoor use only. This product should be positioned well away from curtains and fabrics. Never cover the mirror.
- Regularly check the cord, the transformer and all other parts for damage. If any part is damaged the product should not be used.

### INSTALLATION SAFETY

- Inspect the product immediately upon receipt for the transit damage or missing parts. Handle the product with care and protect against knocks to all sides and edges of the glass.
- Ensure there are no hidden pipes or cables in the wall before drilling.
- Wear suitable eye protection when drilling. Take care if drilling on tiled surfaces in case the drill slips.



### CAUTION

The light source of this product is non-changeable light diodes (LED). Do not disassemble the product, as the light diodes can cause damage to the eyes.

NOTE: The important safeguards and instructions that appear in this manual are not meant to cover all possible conditions and situations that may occur. It must be understood that common sense, caution and care, are factors that can't be built into any product. These factors must be supplied by the person(s) caring for and operating the fixture. Do not install this fixture in hazardous locations.

# TOOLS REQUIRED



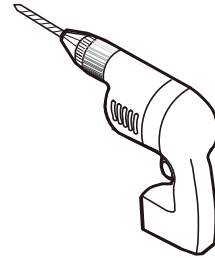
1/4" & 1/8" Drill Bits



Pencil



Level



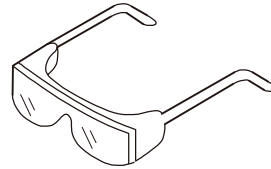
Power Drill



Mallet



Tape Measure



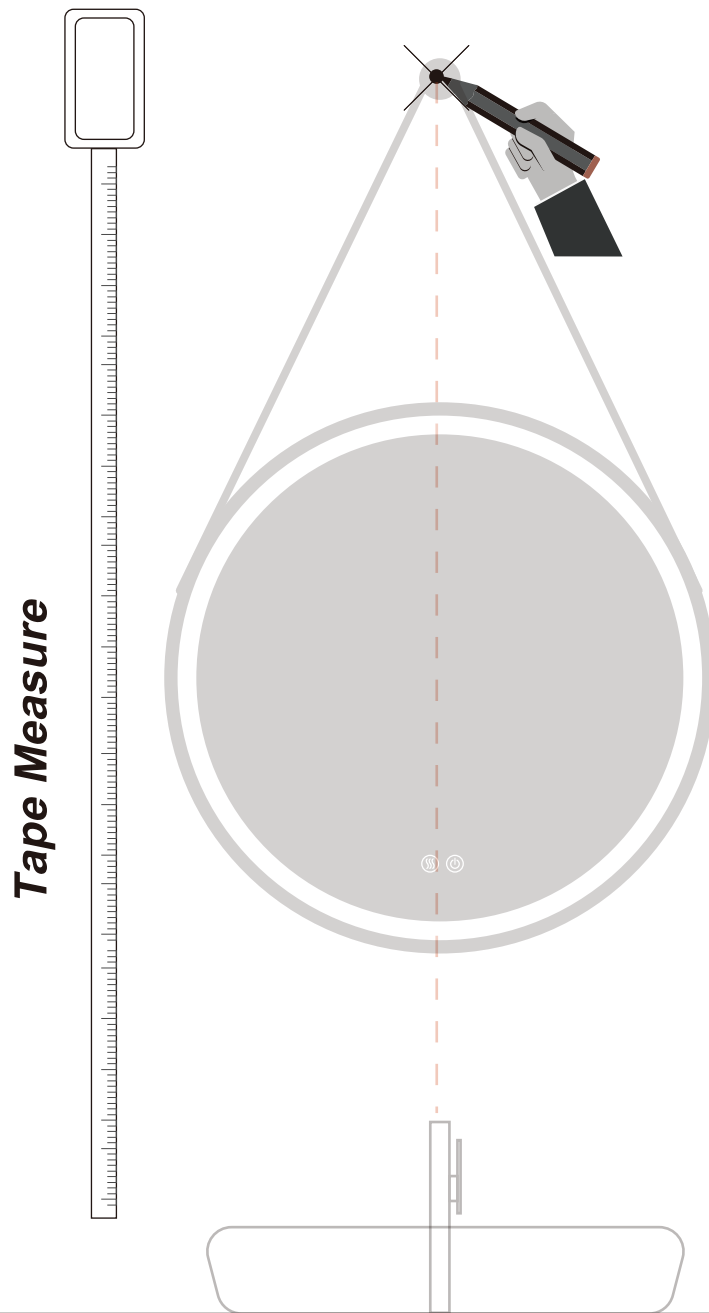
Safety Goggles

## HARDWARE LIST

ITEM	REFERENCE IMAGE	NAME	QTY
1		Screw ST4*35	5
2		Wall Anchor	5

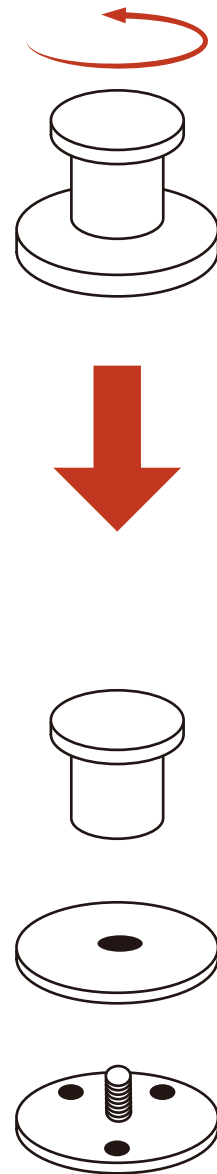
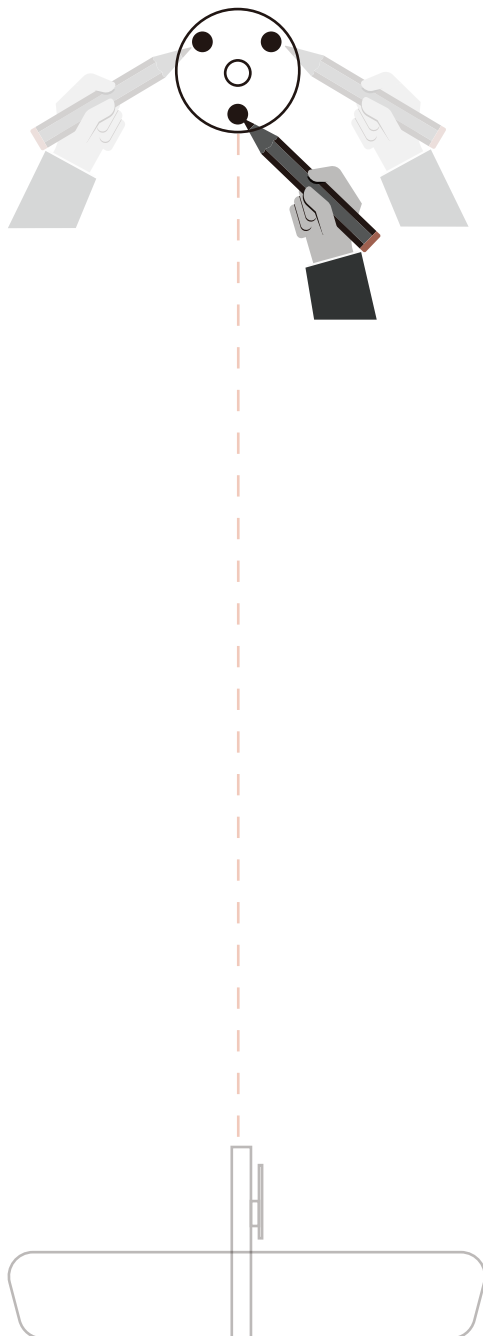
# Step 1

Use the tape measure to survey the high, and draw the horizontal line and the vertical line of the wash-basin.



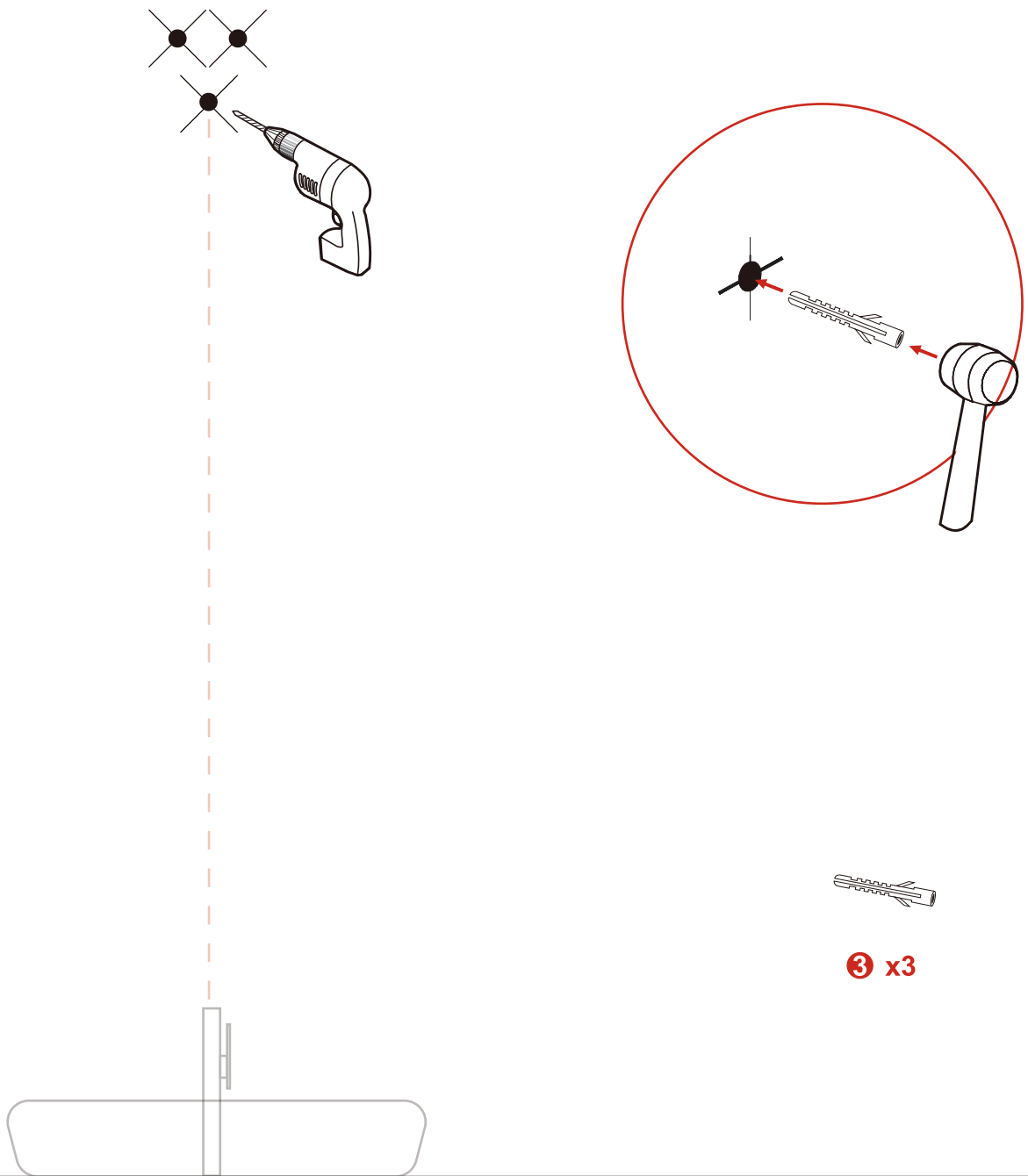
## Step 2

Measure the distance of the holes,  
and mark the holes' place



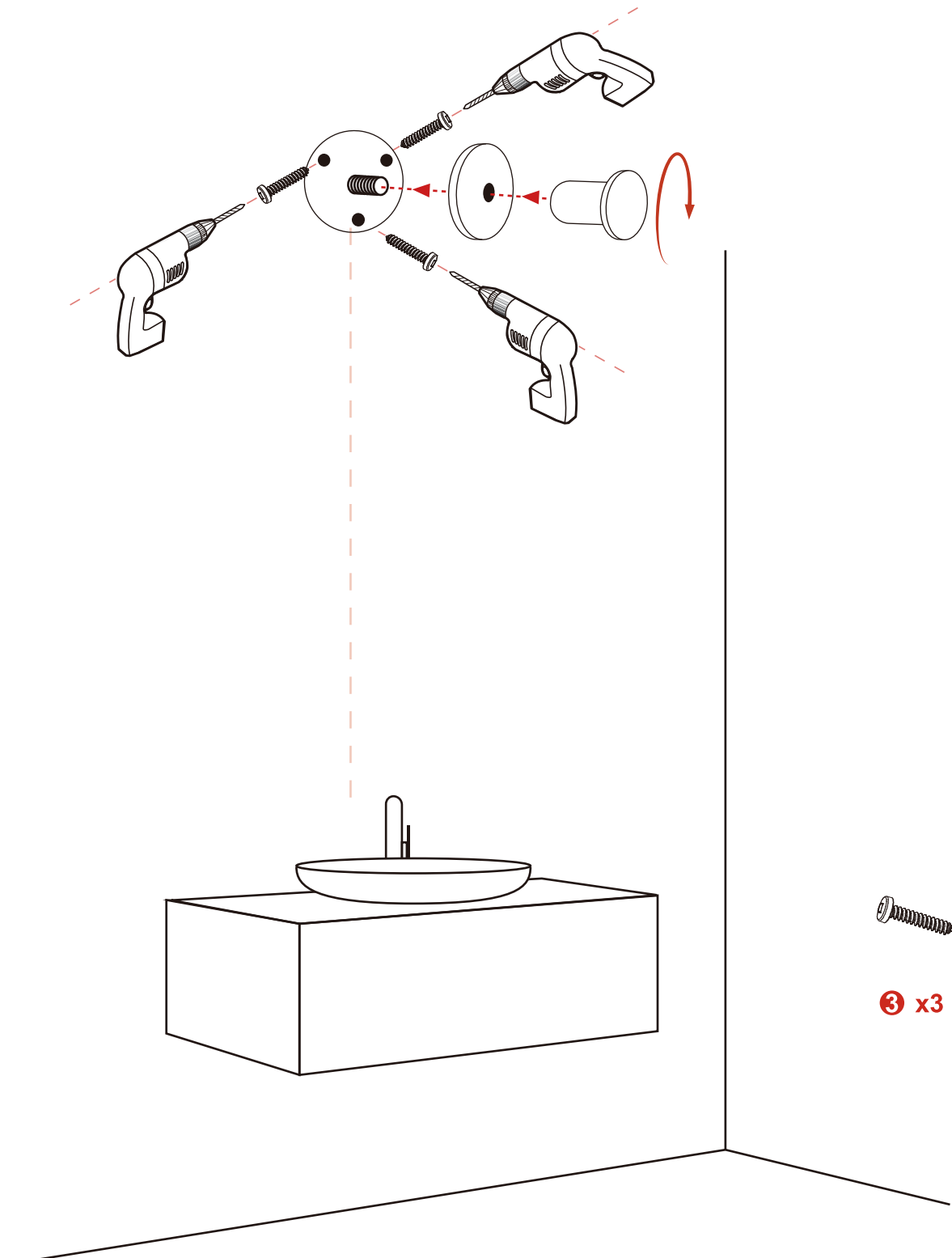
# Step 3

Drill and insert the Wall Anchor



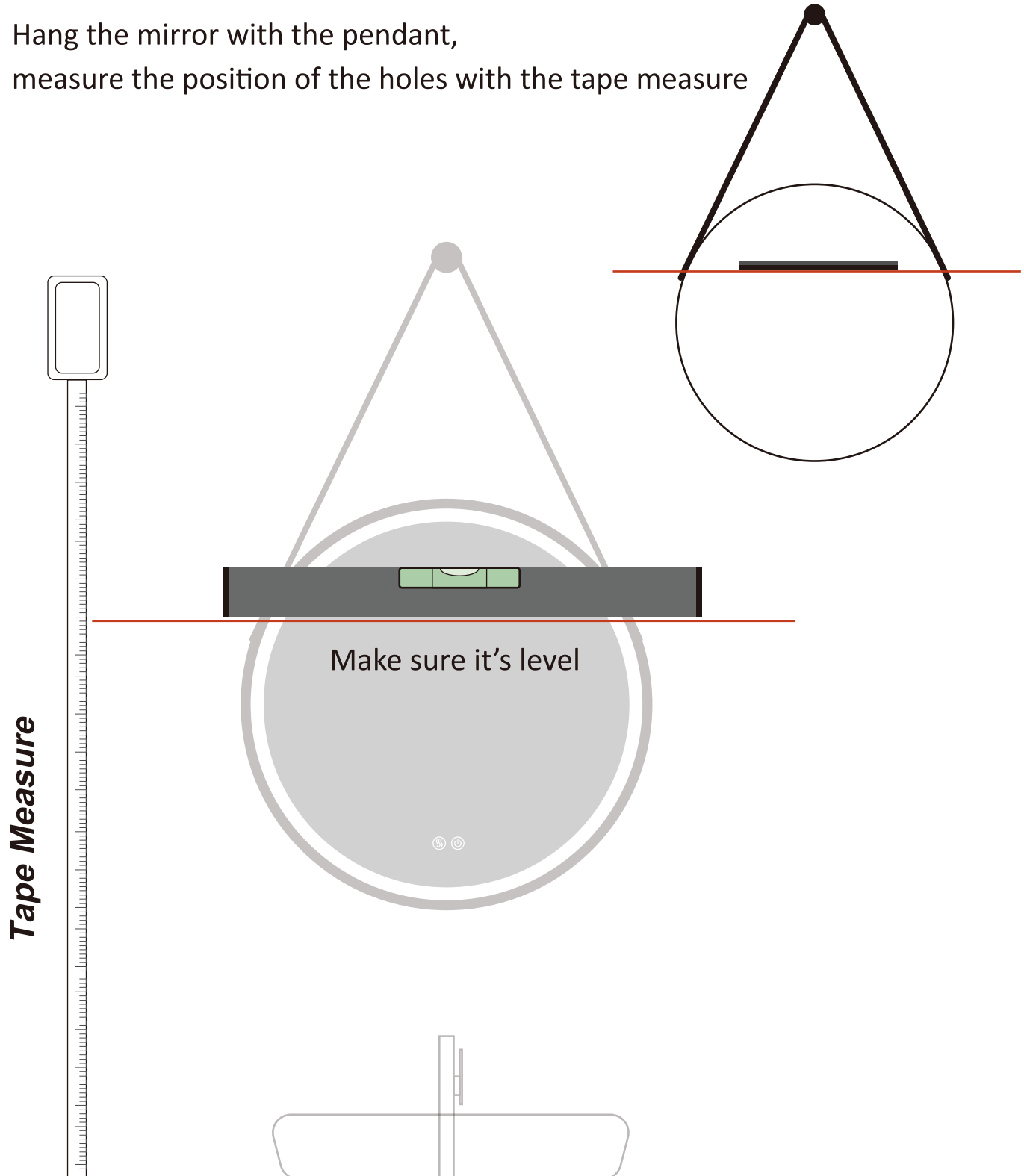
## Step 4

Align the holes of the accessorie with the screws and hang them to complete the installation



## Step 5

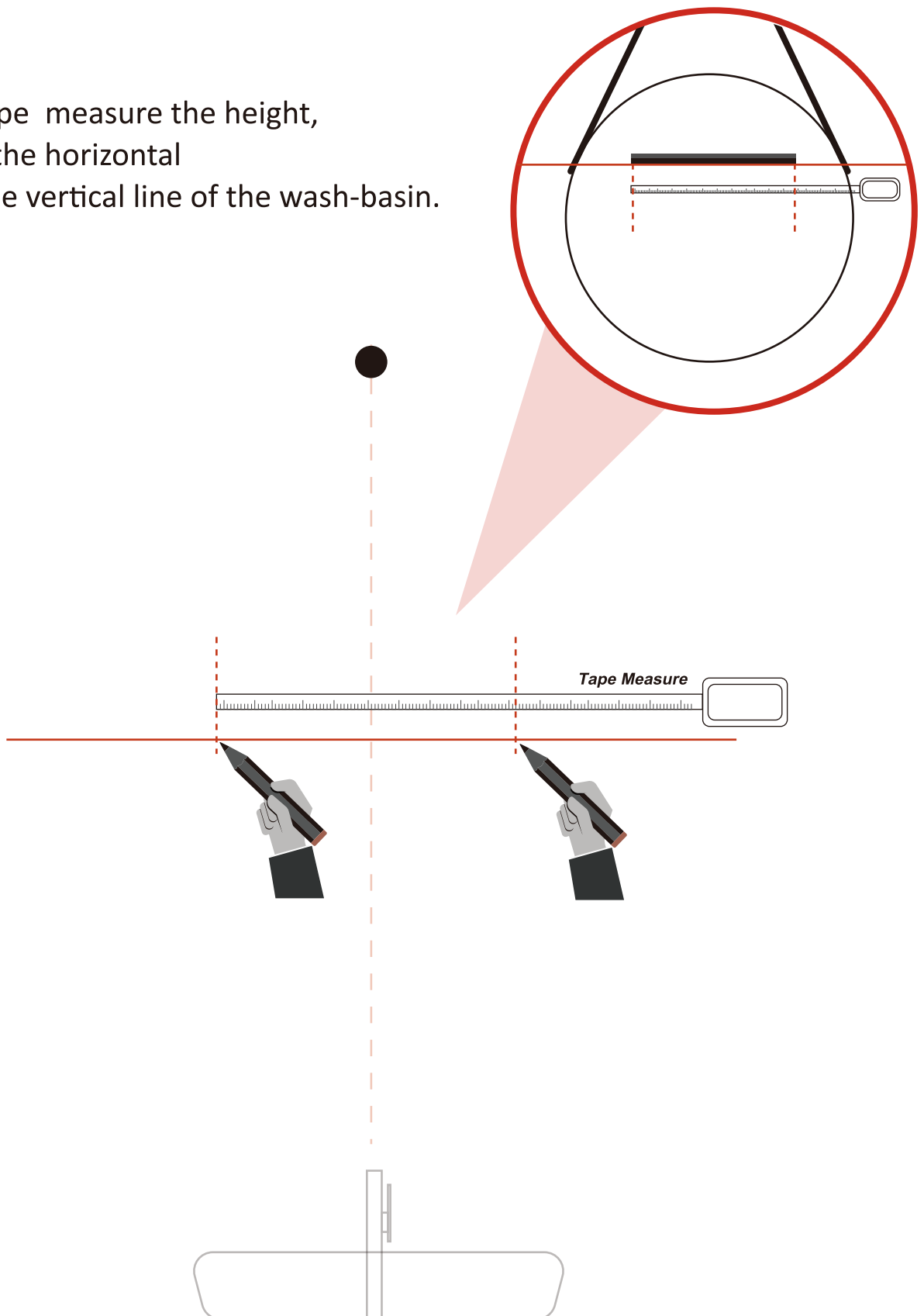
Hang the mirror with the pendant,  
measure the position of the holes with the tape measure





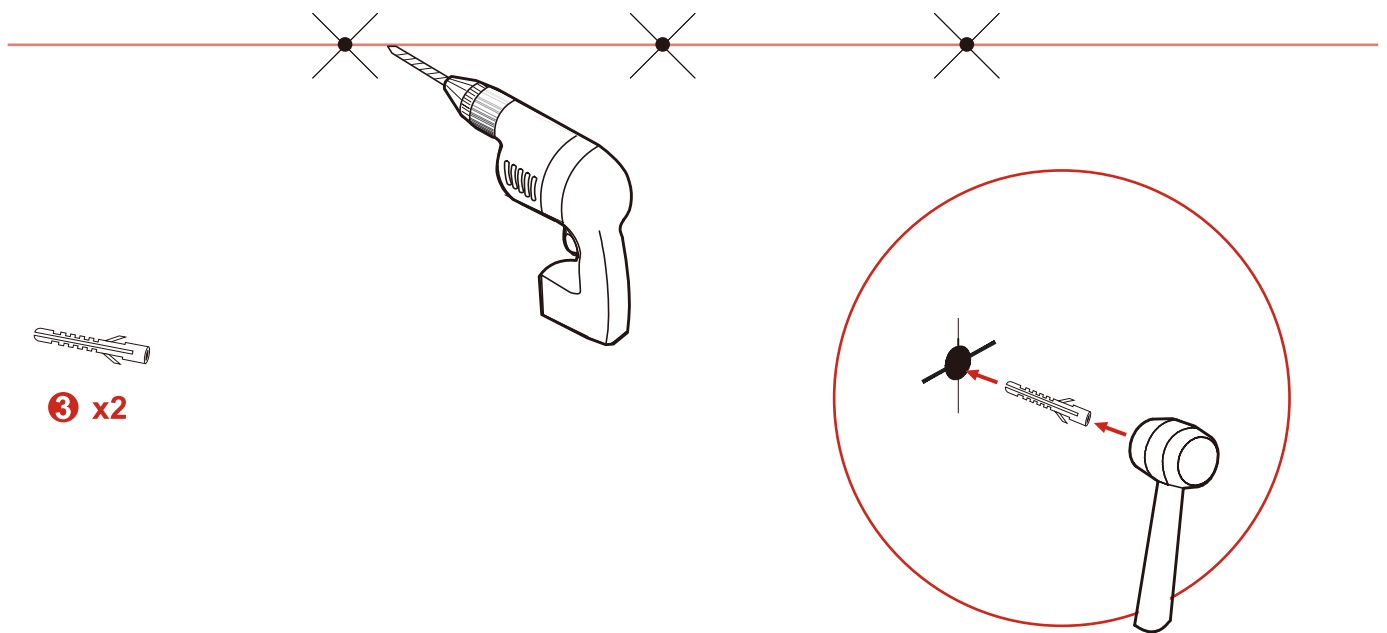
## Step 6

Use the tape measure the height, and draw the horizontal line and the vertical line of the wash-basin.



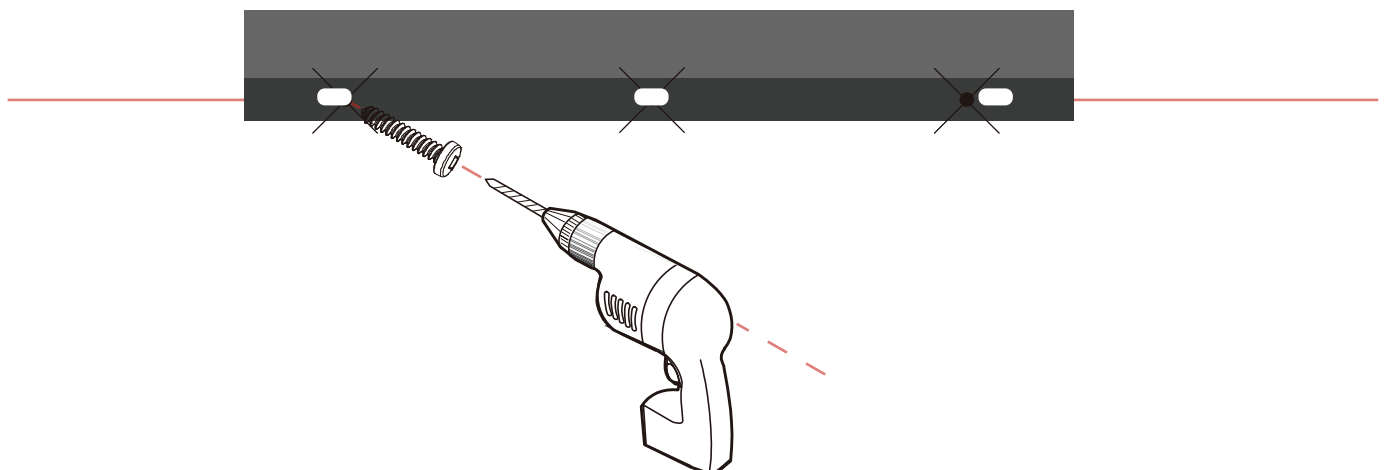
## Step 7

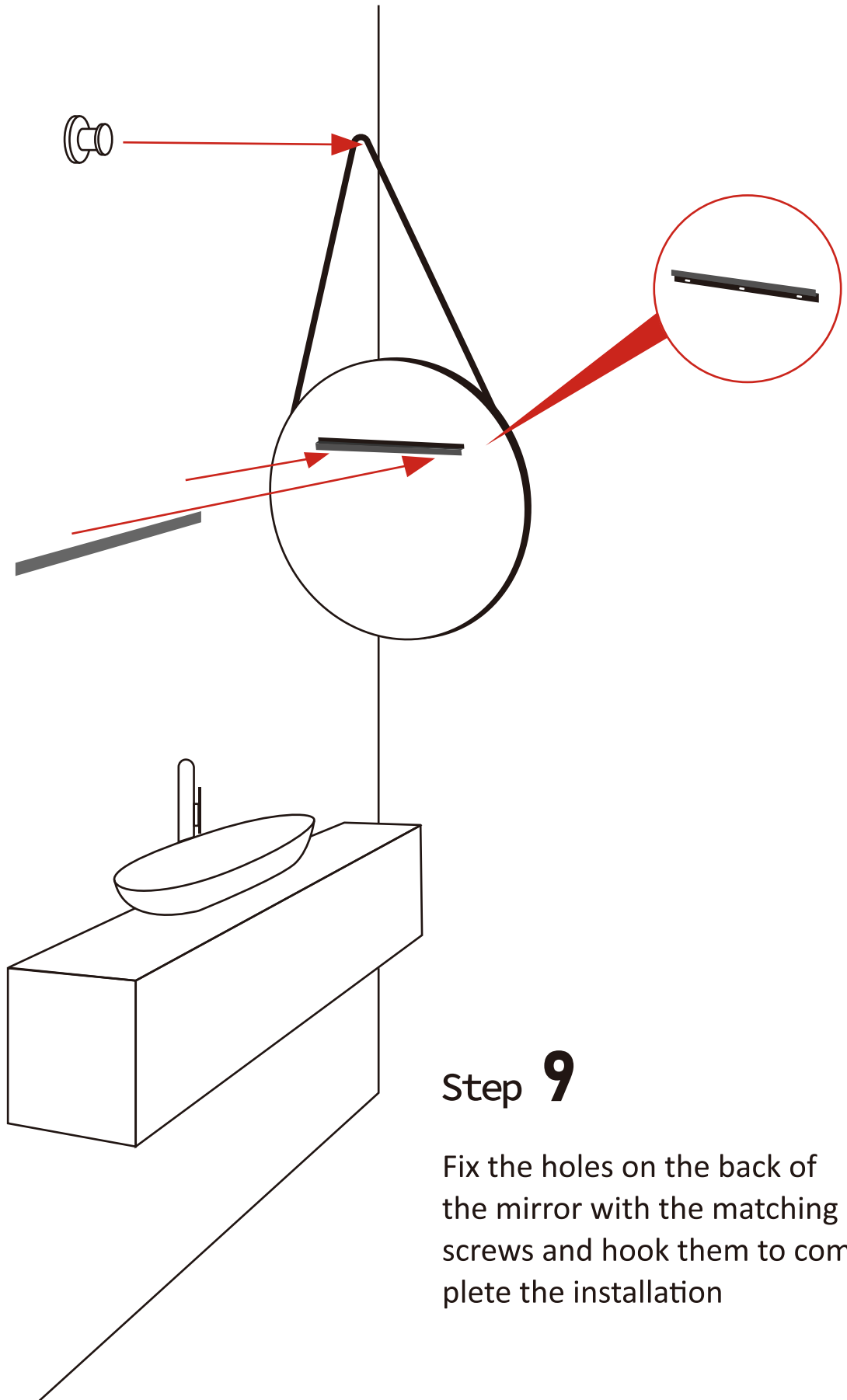
Drill and insert the Wall Anchor



## Step 8

Drive in the screw cross the bottom support.





## Step 9

Fix the holes on the back of the mirror with the matching screws and hook them to complete the installation



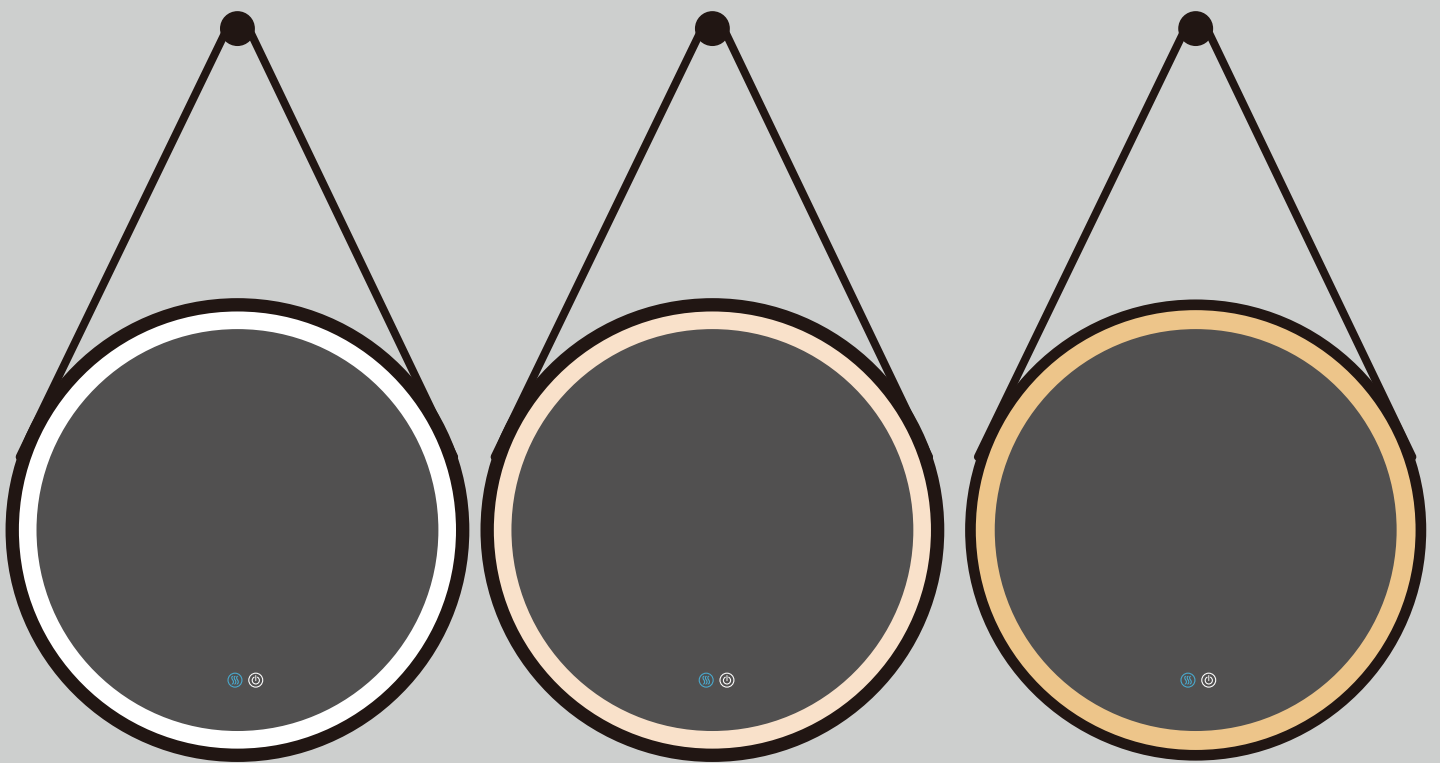
After power on, the button shows blue and it is in waiting state



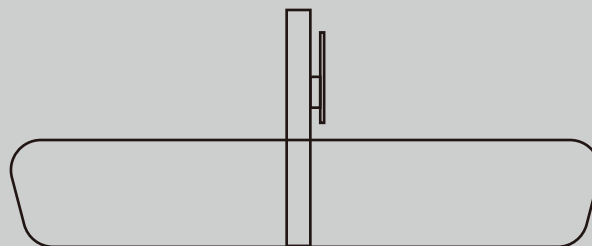
LED



Long holding to make the light gradually dims  
Long holding again and the light gradually brightens



## 3 COLOR TEMPERATURE





After power on, the button shows blue and it is in waiting state



lick to turn on the defogging function and the button turn to white

Click again to turn off the defogging function and the button turn to blue

